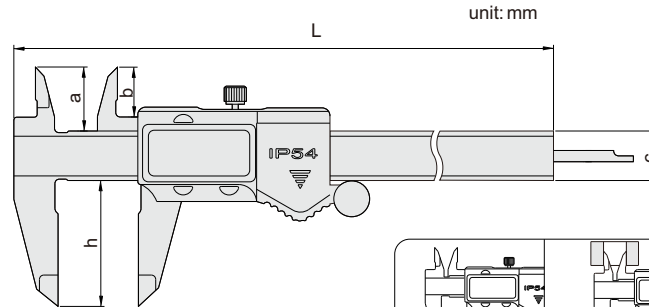


**113-006-11**

- ◆ With fraction reading
- ◆ Resolution: 0.01mm, 0.0005", 1/128"
- ◆ Buttons: on/off, zero, mm/inch
- ◆ Made of stainless steel



Code	Range	Accuracy	a	b	c	h	L
<b>113-006-11</b>	0-150mm/0-6"	±0.03mm	21	16	16	40	236
<b>113-008-11</b>	0-200mm/0-8"	±0.03mm	24	19	16	50	286
<b>113-012-11</b>	0-300mm/0-12"	±0.03mm	25	20.5	16	60	400

**With manufacturer inspection certificate**

