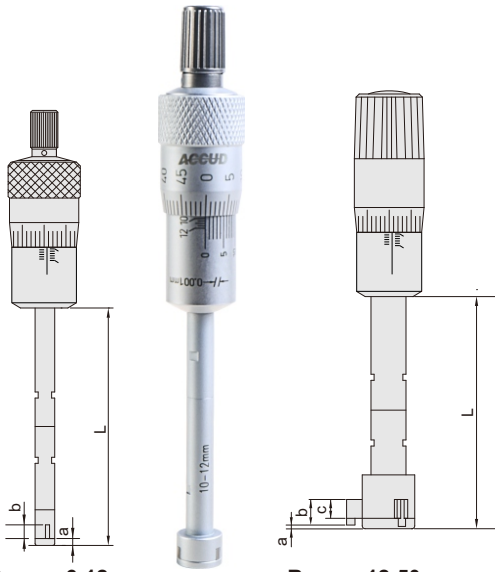


SERIES 362

THREE POINTS INSIDE MICROMETER



- ◆ 6-12mm graduation: 0.001mm
Steel measuring faces
- ◆ 12-300mm graduation: 0.005mm
Carbide measuring faces
- ◆ Ratchet stop
- ◆ Extension rod are included
- ◆ Setting rings are included (Range<100mm)



Range 6-12mm

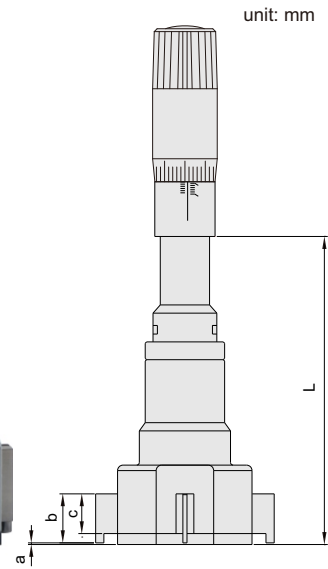
362-003-01

Range 12-50mm



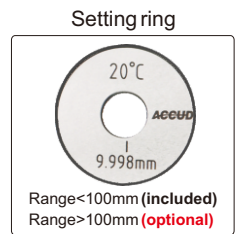
362-008-01

362-014-01



Range 50-300mm

Code	Range	Accuracy	Setting ring	Extension rod	a	b	c	L
362-001-01*	6-8mm	4μm	Ø6mm(included)	100mm	1.5	2.5	/	54.5
362-002-01*	8-10mm	4μm	Ø8mm(included)	100mm	1.5	2.5	/	54.5
362-003-01*	10-12mm	4μm	Ø10mm(included)	100mm	1.5	2.5	/	54.5
362-004-01*	12-16mm	4μm	Ø16mm(included)	150mm	0.5	6	4.5	80
362-005-01*	16-20mm	4μm	Ø16mm(included)	150mm	0.5	6	4.5	80
362-006-01*	20-25mm	4μm	Ø25mm(included)	150mm	0.5	8	6	90
362-007-01*	25-30mm	4μm	Ø25mm(included)	150mm	0.5	8	6	90
362-008-01*	30-40mm	4μm	Ø40mm(included)	150mm	0.5	14	12	97
362-009-01*	40-50mm	5μm	Ø40mm(included)	150mm	0.5	14	12	97
362-010-01*	50-63mm	5μm	Ø62mm(included)	150mm	0.5	17.5	14.5	114
362-011-01*	62-75mm	5μm	Ø62mm(included)	150mm	0.5	17.5	14.5	114
362-012-01*	75-88mm	5μm	Ø87mm(included)	150mm	0.5	17.5	14.5	114
362-013-01*	87-100mm	5μm	Ø87mm(included)	150mm	0.5	17.5	14.5	114
362-014-01	100-125mm	6μm	optional	150mm	0.9	29	25	140
362-015-01	125-150mm	6μm	optional	150mm	0.9	29	25	140
362-016-01	150-175mm	7μm	optional	150mm	0.9	29	25	140
362-017-01	175-200mm	7μm	optional	150mm	0.9	29	25	140
362-018-01	200-225mm	8μm	optional	150mm	0.9	29	25	140
362-019-01	225-250mm	8μm	optional	150mm	0.9	29	25	140
362-020-01	250-275mm	9μm	optional	150mm	0.9	29	25	140
362-024-01	275-300mm	9μm	optional	150mm	0.9	29	25	140



Extension rod(included)



* With manufacturer inspection certificate