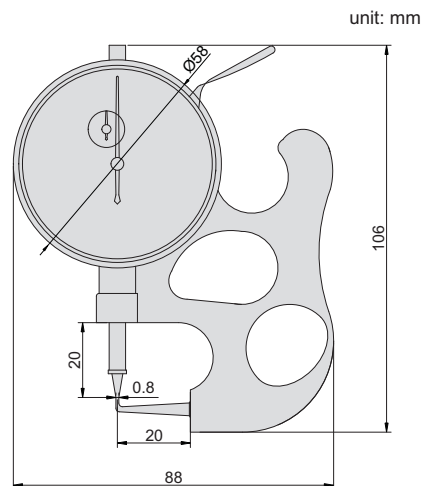
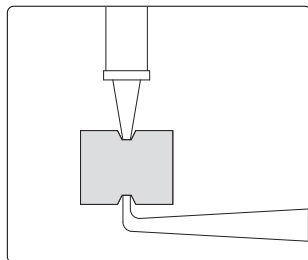


464

POINT THICKNESS GAUGE

- ◆ Pointed tips can be used for small grooves and recesses



Code	Range	Accuracy	Graduation
464-010-11	0-10mm	±0.02mm	0.01mm