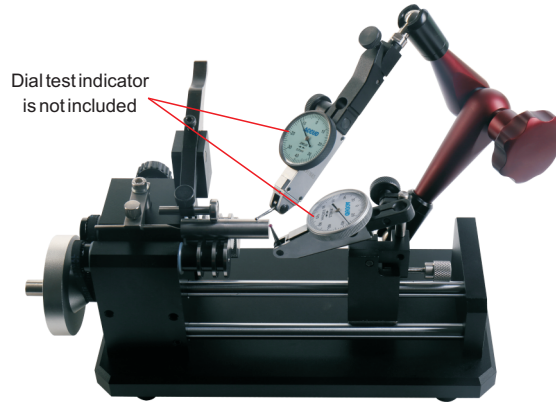




661

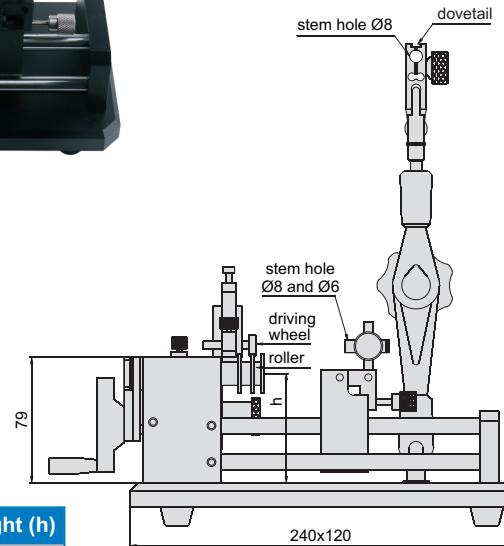
## QUICK POSITIONING CONCENTRICITY GAUGE



Dial test indicator  
is not included

- ◆ Quick positioning, suitable for mass measurement
- ◆ Optional accessories: dial test indicator (code: 261-002-01 or 261-002-02)

unit: mm



Code	Diameter range	Workpiece length	Accuracy	Center height (h)
661-002-01	Ø1-35mm	15-100mm	2µm	70mm