

# SERIES 167

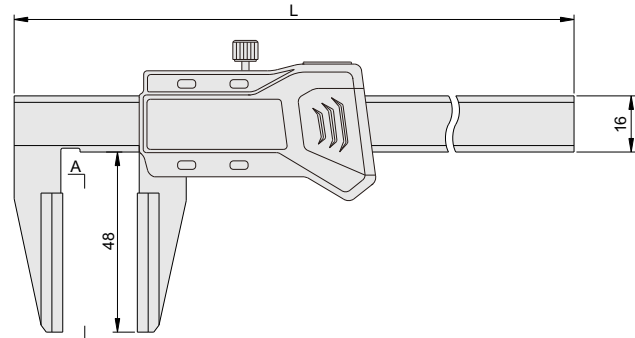
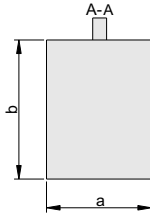
## DIGITAL CALIPER WITH LARGE MEASURING FACES



167-008-11

unit: mm

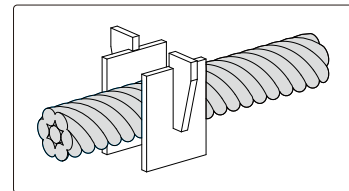
- ◆ Measure diameter of wire ropes, and thickness of soft materials like rubber, etc.
- ◆ Resolution: 0.01mm/0.0005"
- ◆ Buttons: on/off, zero, mm/in, INC
- ◆ Automatic power on/off
- ◆ Data output(cable code: 100-03 or 100-04)
- ◆ Made of stainless steel



Measure thickness of rubber



Measure diameter of wire ropes



Code	Range	Accuracy	a	b	L
<b>167-006-11</b>	0-150mm/0-6"	±0.07mm	20	30	250
<b>167-008-11</b>	0-200mm/0-8"	±0.07mm	30	40	300
<b>167-012-11</b>	0-300mm/0-12"	±0.07mm	40	50	400

\* **NEW**

\* **NEW**

AEEUD



CALIPER