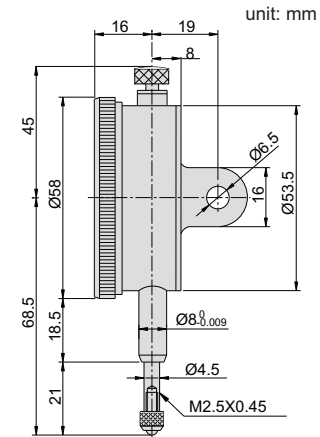
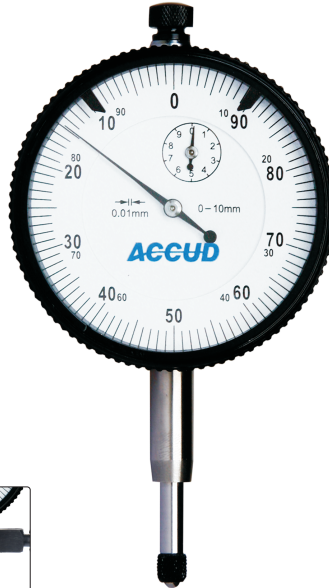


291

REVERSE DIAL INDICATOR



- ◆ Shockproof
- ◆ Graduation: 0.01mm
- ◆ Reverse reading
- ◆ With limit hands
- ◆ Jeweled bearing
- ◆ Rang per revolution: 1mm
- ◆ Supplied with lug and flat back



Styli **(optional)**



Series 270

Application



Code	Range	Accuracy	Hysteresis	Scale
291-010-I	10mm	17µm	3µm	0-100

ACCUD

