



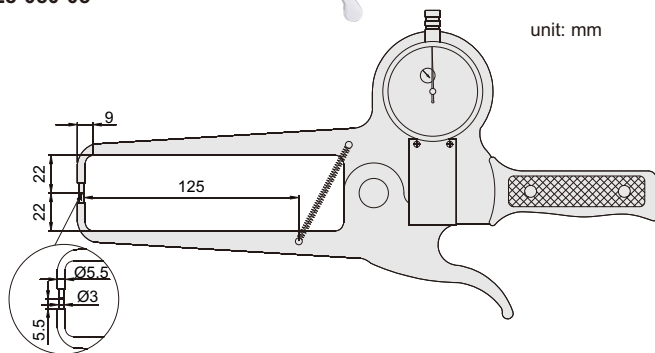
**SERIES 428**

**EXTERNAL DIAL CALIPER GAUGE**

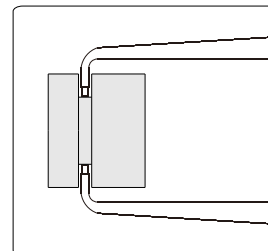
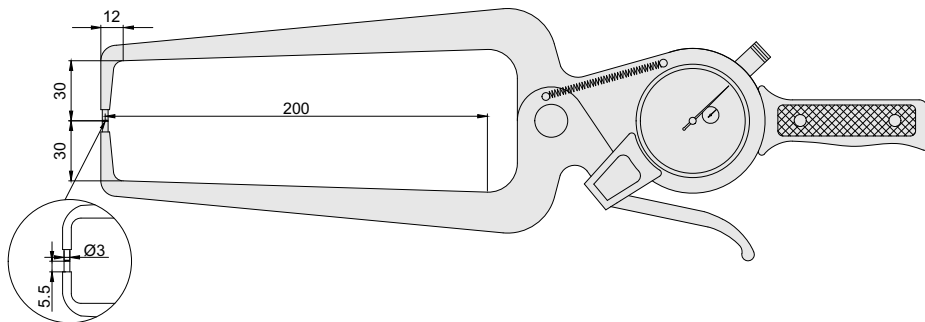
◆ Measure the external dimension



**428-050-05**



**428-250-05**



THICKNESS

Code	Range	Graduation	Accuracy	Throat depth
428-050-05	0-50mm	0.05mm	±0.1mm	125mm
428-250-05	0-50mm	0.05mm	±0.1mm	200mm

\* **NEW**