

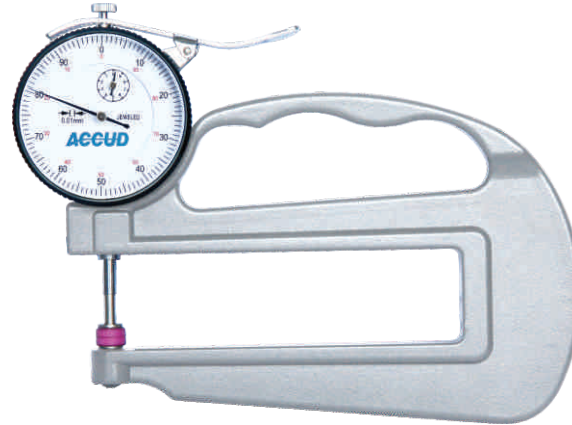
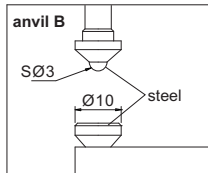
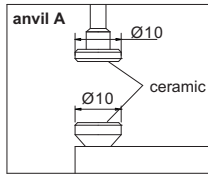
## SERIES 444

## THICKNESS GAUGE

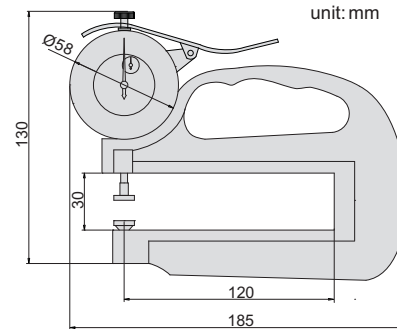


AECUD

- ◆ Large throat depth, for large workpiece measurement
- ◆ Graduation: 0.01mm



444-010-11



| Code       | Range  | Accuracy | Anvil |
|------------|--------|----------|-------|
| 444-010-11 | 0-10mm | ±0.02mm  | A     |
| 444-020-11 | 0-20mm | ±0.03mm  | A     |
| 444-010-12 | 0-10mm | ±0.02mm  | B     |
| 444-020-12 | 0-20mm | ±0.03mm  | B     |