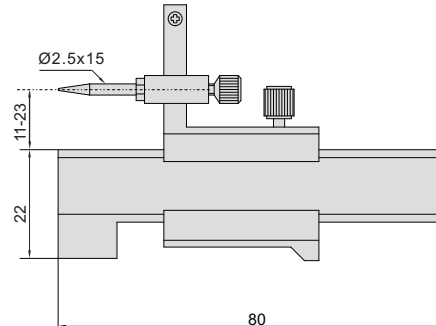
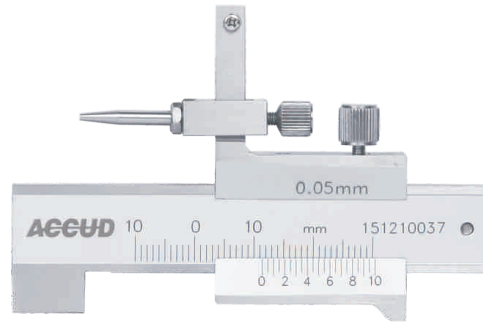
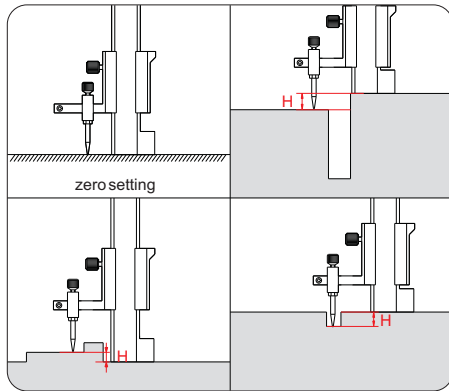


998

VERNIER STEP GAUGE

- ◆ Measure the height difference of two surface
- ◆ Resolution: 0.05mm



unit: mm

Code	Range	Accuracy
998-010-11	-10~+10mm	±0.05mm

