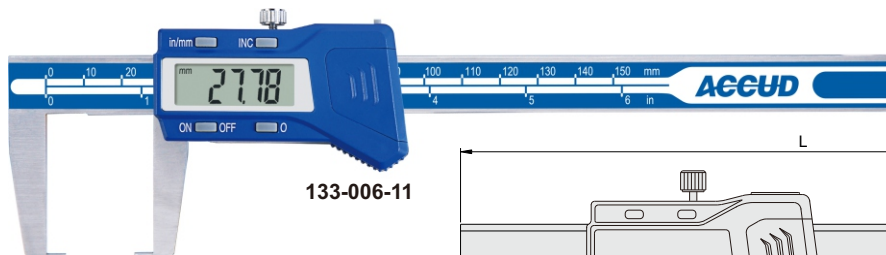
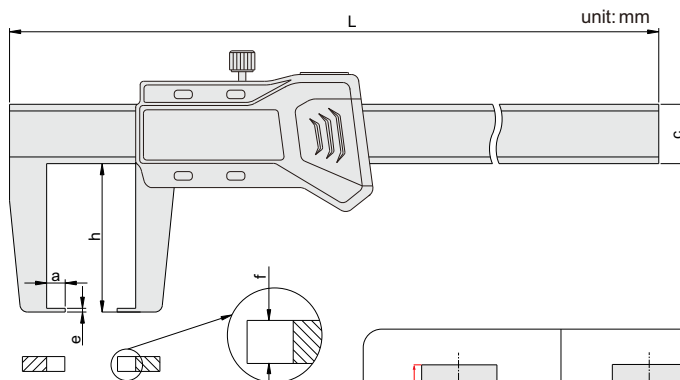


SERIES 133

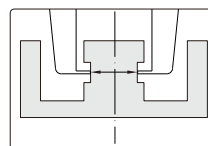
DIGITAL OUTSIDE NECK CALIPER



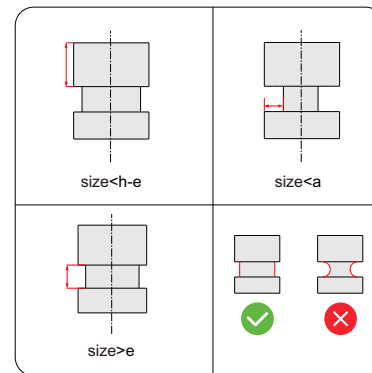
133-006-11



133-012-12



- ◆ Measure wall thickness and recesses
- ◆ Resolution: 0.01mm/0.0005"
- ◆ Automatic power on/off
- ◆ Buttons: on/off, zero, mm/in, INC
- ◆ Data output
- ◆ Made of stainless steel



Code	Range	Accuracy	a	c	e	f	h	L
133-006-11	0-150mm/0-6"	±0.04mm	5	16	1	4	40	250
133-008-11	0-200mm/0-8"	±0.05mm	9	17	1.5	4	80	310
133-012-11	0-300mm/0-12"	±0.05mm	10	16	1.5	4	60	410
133-012-12	0-300mm/0-12"	±0.06mm	12	24	2	5	150	490