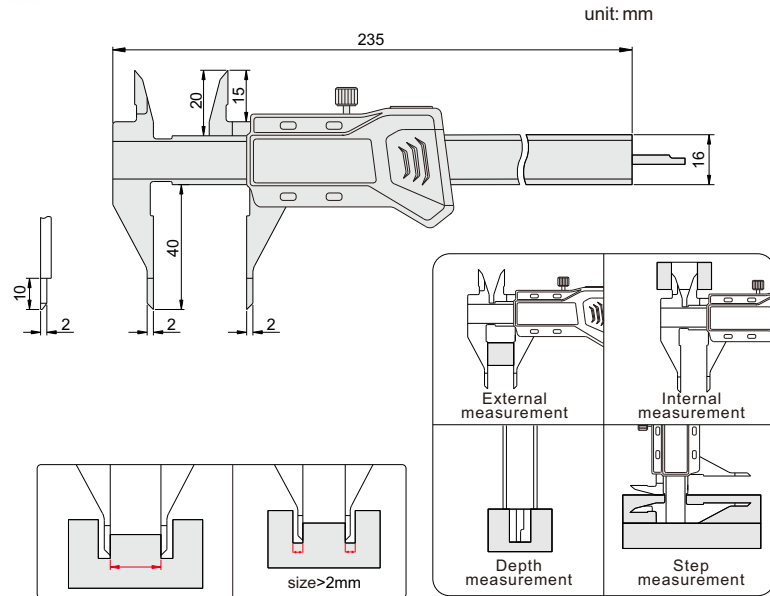


- ◆ Small point jaws fits into small grooves and recesses
- ◆ Resolution: 0.01mm/0.0005"
- ◆ Buttons: on/off, zero, mm/in, INC
- ◆ Automatic power on/off
- ◆ Data output(cable code:100-03 or 100-04)
- ◆ Made of stainless steel



Code	Range	Accuracy
168-006-11	0-150mm/0-6"	±0.03mm