

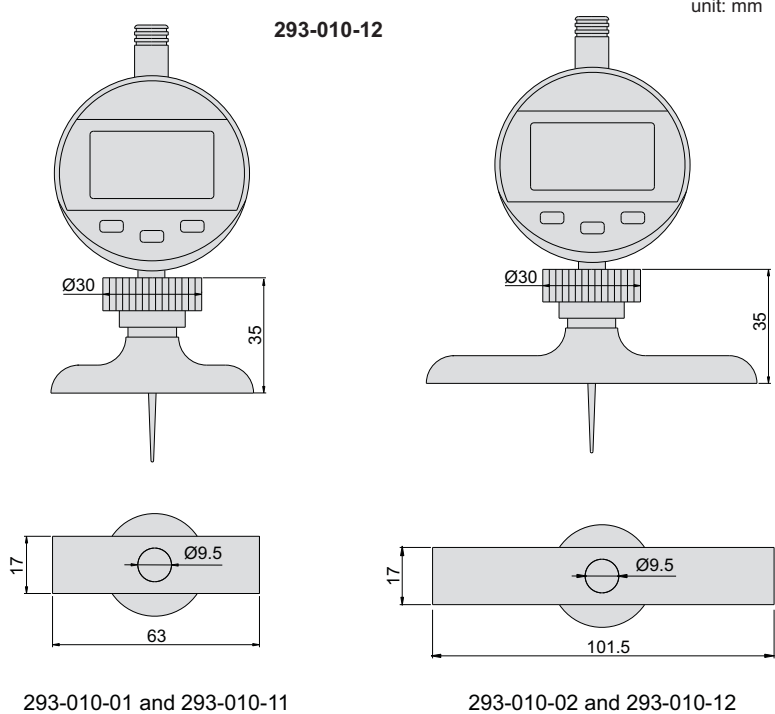
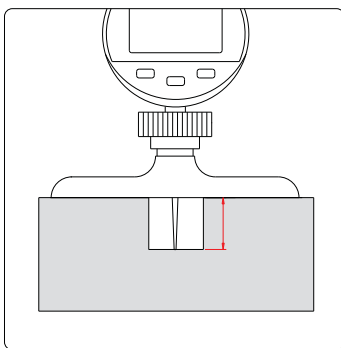
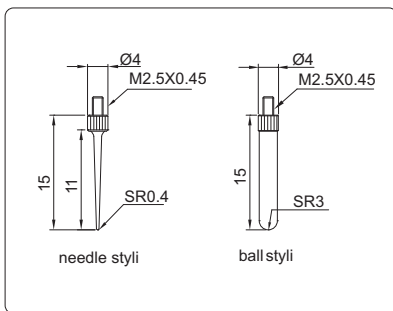


VIDEO

- ◆ Button: tolerance set, data preset, inch/mm conversion, measuring direction set, max./min./range measurement, absolute/incremental measurement
- ◆ Data output(cable code:200-03 or 200-04)
- ◆ Automatic power off
- ◆ Stainless steel base
- ◆ Supplied with pointed tip and ball tip



styli (included)



Resolution 0.001mm/0.00005"

Code	Range	Accuracy	Digital indicator stroke	Base
293-010-01	0-10mm/0-0.4"	$\pm 5\mu\text{m}$	12.7mm/0.5"	63x17mm
293-010-02	0-10mm/0-0.4"	$\pm 5\mu\text{m}$	12.7mm/0.5"	101.5x17mm

* NEW
* NEW

Resolution 0.01mm/0.0005"

Code	Range	Accuracy	Digital indicator stroke	Base
293-010-11	0-10mm/0-0.4"	$\pm 0.03\text{mm}$	12.7mm/0.5"	63x17mm
293-010-12	0-10mm/0-0.4"	$\pm 0.03\text{mm}$	12.7mm/0.5"	101.5x17mm