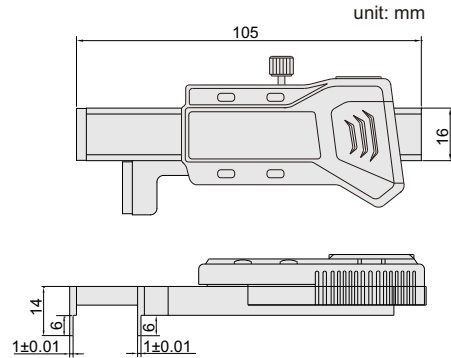
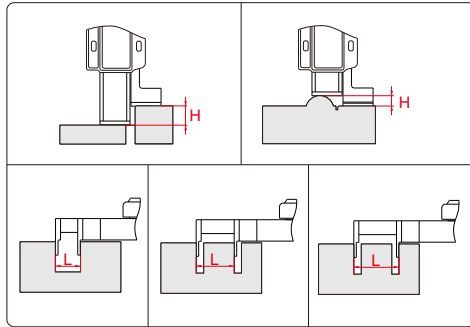




- ◆ Measure step height and gap width
- ◆ Resolution: 0.01mm/0.0005"
- ◆ Buttons: on/off, zero, mm/in, INC
- ◆ Automatic power on/off
- ◆ Data output(cable code :100-03 or 100-04)
- ◆ Made of stainless steel
- ◆ Supplied with zero setting block



zero setting block(included)



Code	Range	Accuracy
437-001-11	0-12.7mm/0-0.5"	±0.03mm