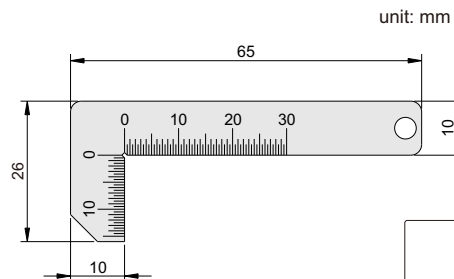
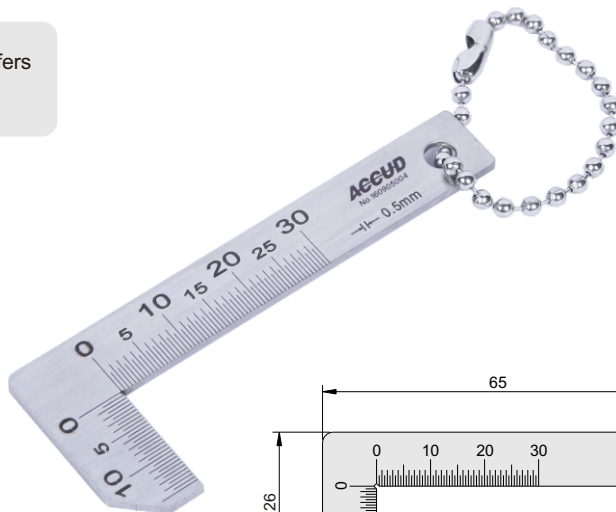
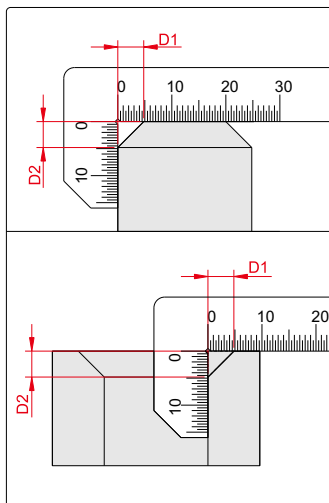


- ◆ To measure internal and external chamfers
- ◆ Made of stainless steel



package



Code	Graduation	Accuracy
967-001-11	0.5mm	±0.25mm