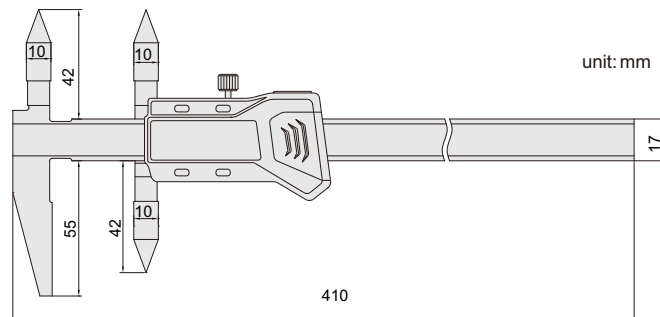
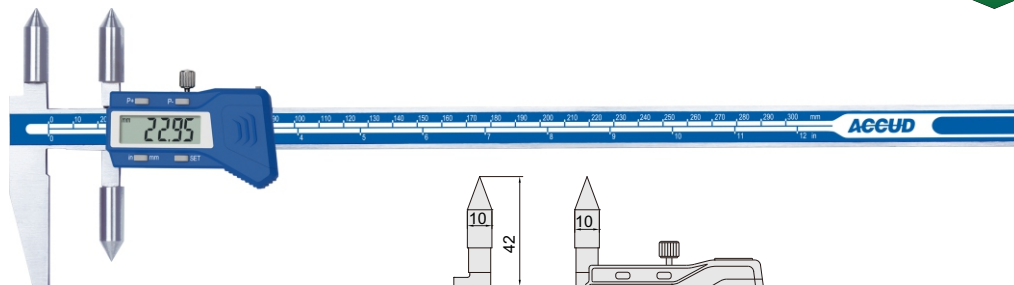
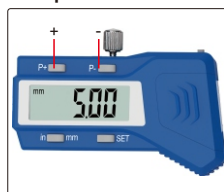


### DIGITAL CENTERLINE/EDGE TO CENTER CALIPER

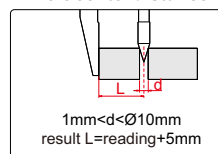


- ◆ Measure hole center distance or edge to hole center distance
- ◆ Resolution: 0.01mm/0.0005"
- ◆ Buttons: mm/in, SET, preset(P+,P-)
- ◆ Data output(cable code: 100-03 or 100-04)
- ◆ Automatic power on/off
- ◆ Made of stainless steel

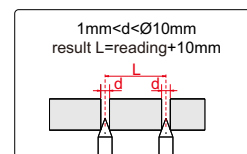
#### preset buttons



#### measure edge to hole center distance



#### measure hole center distance



Code	Range of upper jaw (center to center)	Range of lower jaw (edge to center)	Accuracy
148-012-11	10-300mm/0.4-12"	5-300mm/0.2-12"	±0.08mm