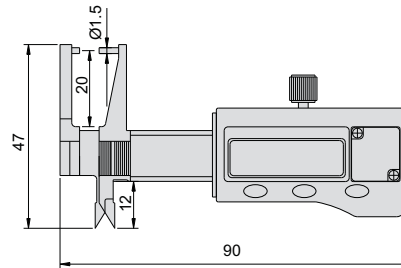
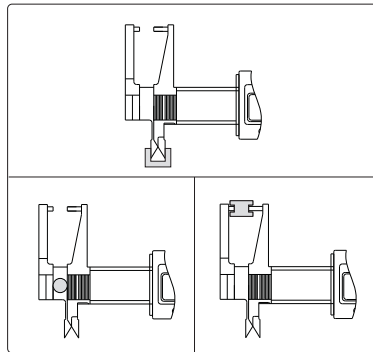


- ◆ Resolution: 0.01mm/0.0005"
- ◆ Buttons: on/off, zero, mm/inch
- ◆ Made of stainless steel



unit: mm

Code	Range	Accuracy
436-001-11	0-25mm/0-1"	±0.03mm