

SERIES 228

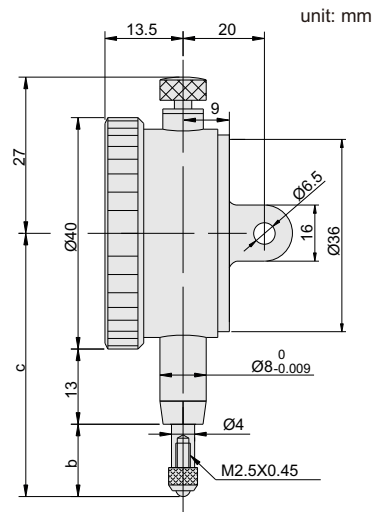
DIAL INDICATOR



- ◆ Bezel: Ø40mm
- ◆ Graduation: 0.01mm
- ◆ With limit hands
- ◆ Jeweled bearing
- ◆ Rang per revolution: 1mm
- ◆ Supplied with lug and flat back



228-005-11



Styli (optional)



Application



Code	Range	Accuracy	Hysteresis	Scale	b	c
228-003-11	3mm	14µm	3µm	0-100	11	44
228-005-11	5mm	16µm	3µm	0-100	12.5	45.5

With manufacturer inspection certificate