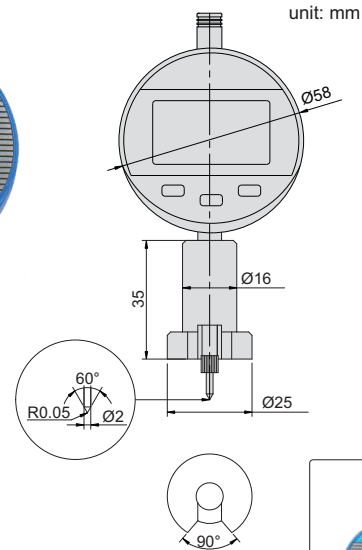
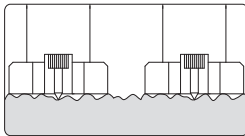




- ◆ Measure peak-to-valley height of blast cleaned surface.  
If the profile is too low, the adhesion of the coating to the surface will be reduced.  
If the profile is too high, there is the danger that the profile peaks will remain non-coating, maybe rust spots happen.
- ◆ Meet ASTM D 4417-B
- ◆ Zero set block is included, set zero before measurement
- ◆ Buttons: on/off, zero, mm/inch, absolute/incremental measurement
- ◆ CR2032 battery, automatically power off
- ◆ Data output (cable code: 200-03 or 200-04)
- ◆ Stainless steel base

measure peak-to-valley height  
of blast cleaned surfaces



unit: mm

Set zero



Code	Range	Digital indicator stroke	Digital indicator resolution	Accuracy
489-010-02	0-12.7mm/0-0.5"	12.7mm/0.5"	0.001mm/0.00005"	±0.005mm