

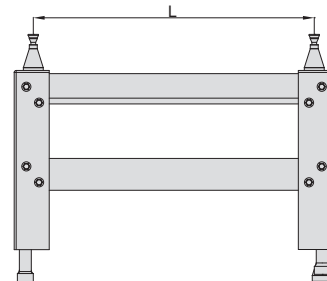
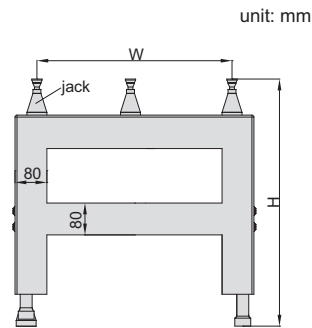
## SERIES 621

## STAND FOR GRANITE SURFACE PLATE

- ◆ For medium size granite surface plates
- ◆ Adjusting range of jacks: 10mm
- ◆ One foot on the bottom is adjustable
- ◆ The height can be made under customer requirement



621-064-01



Code	L	W	H	For granite surface plate
621-064-01	352	224	700-710	630x400x80mm
621-066-01	352	352	700-710	630x630x100mm
621-085-01	448	280	700-710	800x500x100mm
621-106-01	560	352	685-695	1000x630x140mm
621-107-01	560	416	685-695	1000x750x150mm
621-101-01	560	560	685-695	1000x1000x150mm
621-121-01	672	448	685-695	1200x800x160mm
621-161-01	896	560	585-595	1600x1000x180mm

\* NEW