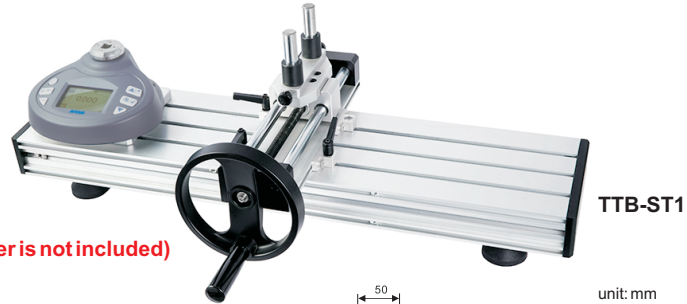
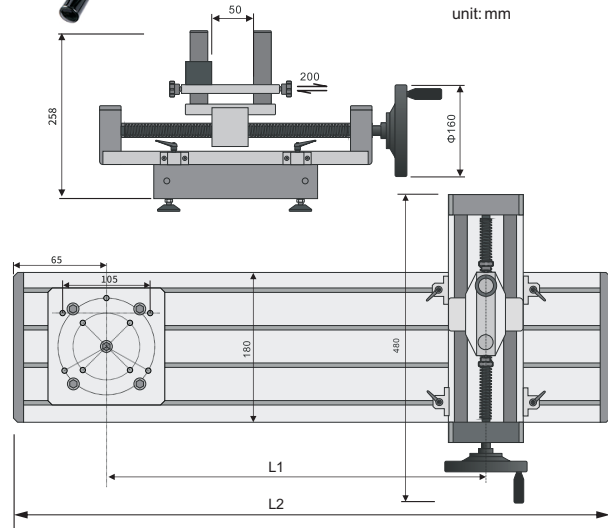


- ◆ For calibrating torque wrench with TTB series torque meter



(Torque meter is not included)



SPECIFICATION

Code	TTB-ST1	TTB-ST2	TTB-ST4
Arm length(L1)	150-600mm	150-1000mm	150-1500mm
Max. travel	200mm		
Max. force	1000N		2000N
Length(L2)	770mm	1270mm	1800mm
Weight	12kg	16kg	30kg