

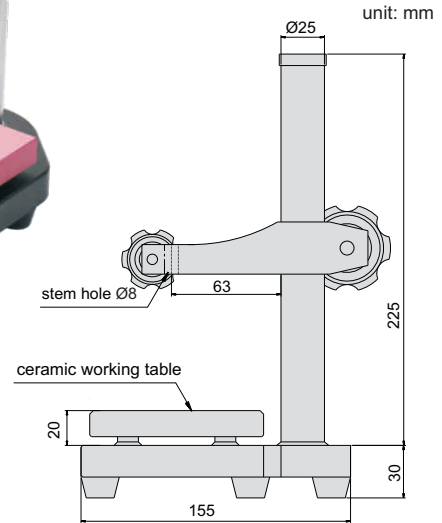
- ◆ Working table is made of ceramic
- ◆ Holder vertical travel: 150mm



**290-080-01**



**290-100-01**



Code	Stem hole	Ceramic flatness	Ceramic size
<b>290-080-01</b>	Ø8mm	1.5µm	Ø80mm

Code	Stem hole	Ceramic flatness	Ceramic size
<b>290-100-01</b>	Ø8mm	1.5µm	100x100mm