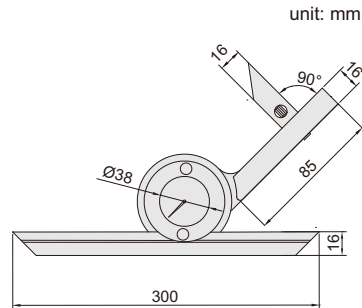
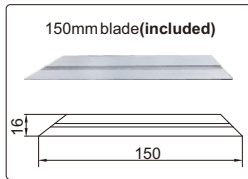


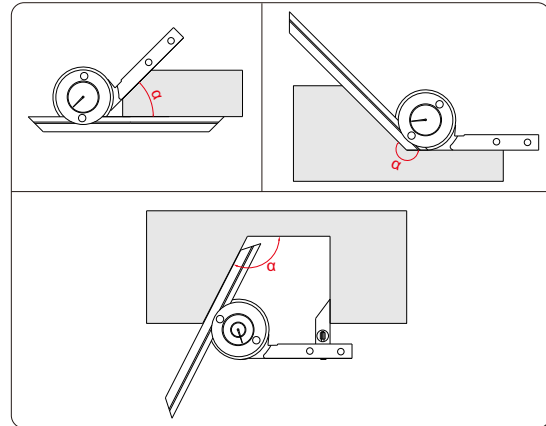
816

UNIVERSAL PROTRACTOR

- ◆ Graduation : 5'
- ◆ With one blade: 150mm
- ◆ Made of stainless steel
- ◆ Optional accessory: clamp for height gages



Application



Code	Range	Accuracy
816-360-01	0 - 360°	±5'