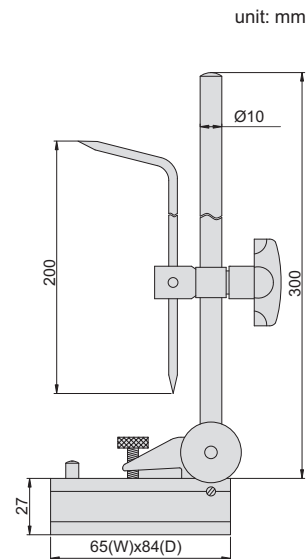
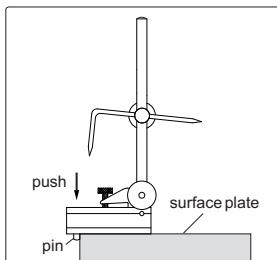
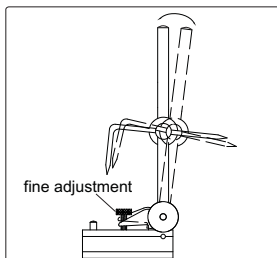


903

## HEIGHT SCRIBER

- ◆ Grooved bottom for cylinder
- ◆ Two pins to be set against the edge of surface plate



Code

903-012-11