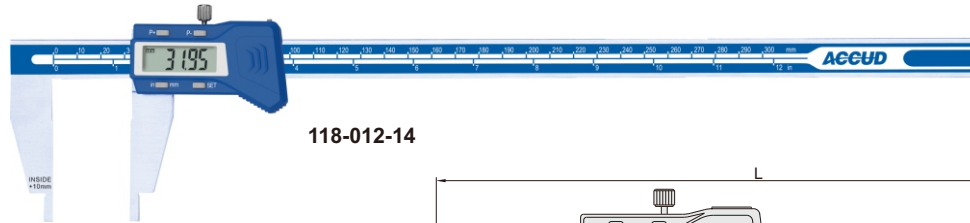
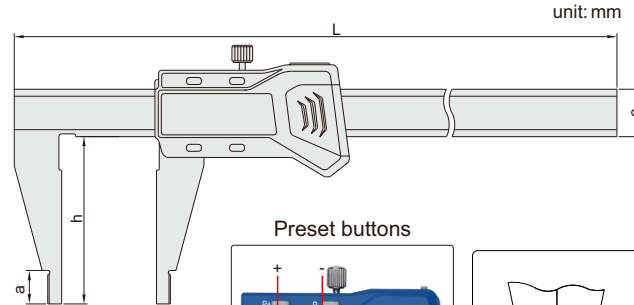


SERIES 118

DIGITAL CALIPER

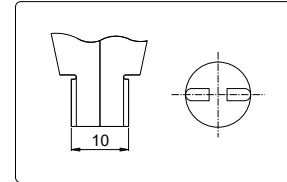
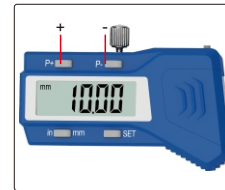


118-012-14



- ◆ Resolution: 0.01mm/0.0005"
- ◆ Buttons: mm/in, SET, preset(P+,P-)
- ◆ Preset: 10mm, don't need to add the width of the jaws on the reading
- ◆ Automatic power on/off
- ◆ Data output(cable code: 100-03 or 100-04)
- ◆ Made of stainless steel

Preset buttons



Code	Range	Accuracy	a	c	h	L
118-008-11	0-200mm/0-8"	±0.03mm	12	17	60	320
118-012-14	0-300mm/0-12"	±0.04mm	12	17	60	420
118-012-15	0-300mm/0-12"	±0.06mm	12	17	90	420

