

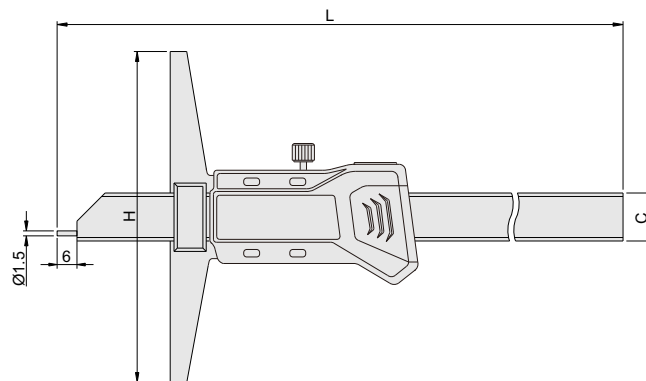
## SERIES 172

## DIGITAL PIN DEPTH CALIPER

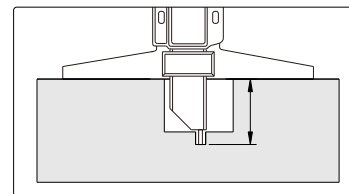


172-008-11

unit: mm



- ◆ Measure the depth of small holes or grooves
- ◆ Resolution: 0.01mm/0.0005"
- ◆ Automatic power on/off
- ◆ Buttons: on/off, zero, mm/in, INC
- ◆ Data output(cable code:100-03 or 100-04)
- ◆ Made of stainless steel



Code	Range	Accuracy	H	L	C
172-008-11	0-200mm/0-8"	±0.03mm	100	291	14.5
172-012-11	0-300mm/0-12"	±0.04mm	150	395	15