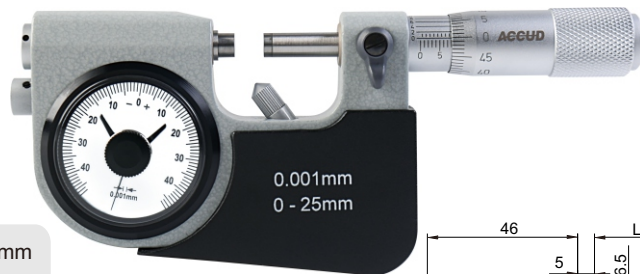
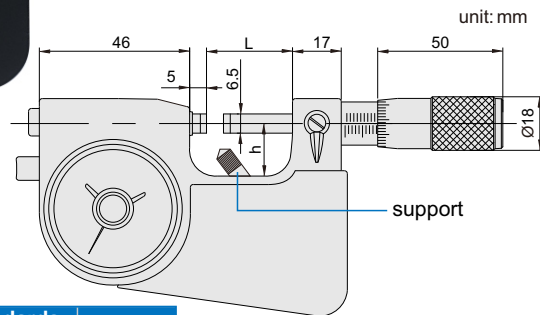


## SERIES 349

## INDICATING MICROMETER



349-001-01



- ◆ Micrometer head graduation: 0.002mm
- ◆ Dial indicator: graduation 0.001mm, accuracy 0.001mm
- ◆ Carbide measuring faces
- ◆ Supplied with setting standards (except 0-25mm)

Code	Micrometer head range	Accuracy	Indicator range	L	h	Setting standards (included)	Support
349-001-01	0-25mm	3μm	40μm	28.5	19	-	with
349-002-01	25-50mm	3μm	40μm	53.5	30	25mm	with
349-003-01	50-75mm	5μm	40μm	78.5	45	50mm	without
349-004-01	75-100mm	5μm	40μm	103.5	57	75mm	without
349-005-01	100-125mm	5μm	40μm	128.5	69	100mm	without
349-006-01	125-150mm	5μm	40μm	153.5	82	125mm	without
349-007-01	150-175mm	5μm	40μm	178.5	94	150mm	without

Setting standards(included)



\* **NEW**  
\* **NEW**  
\* **NEW**