

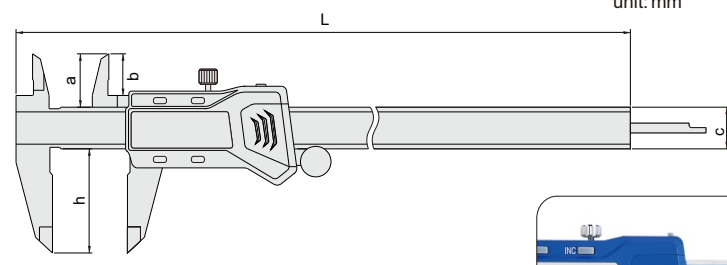
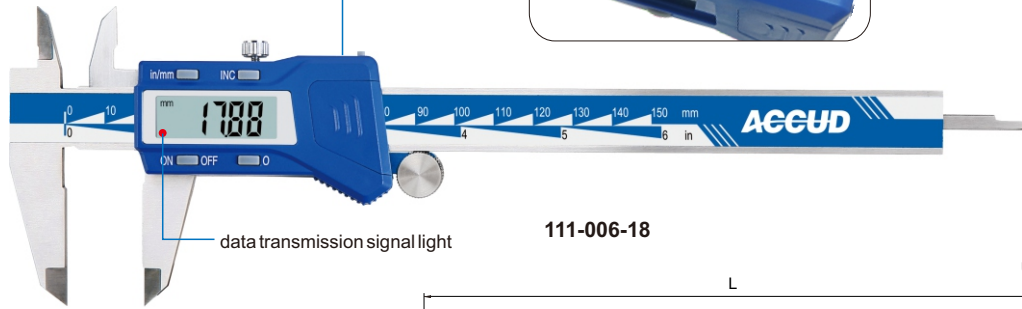
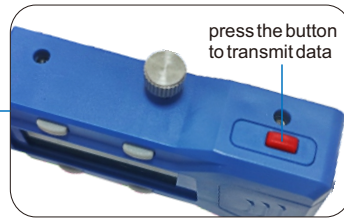
SERIES 111

WIRELESS DIGITAL CALIPER

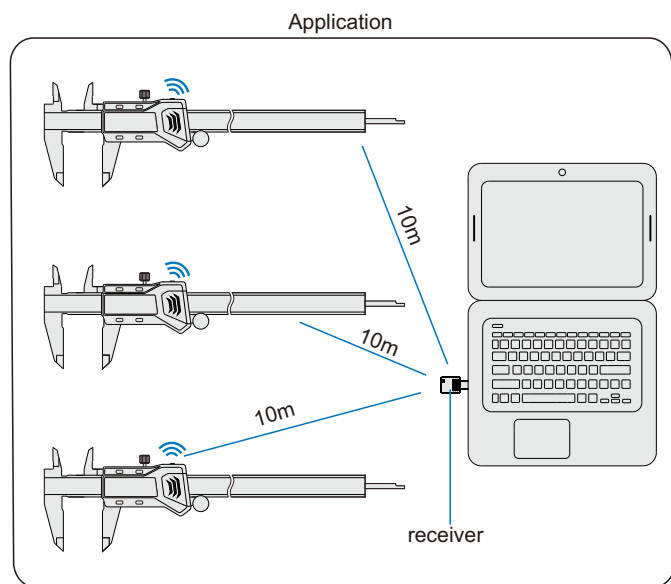
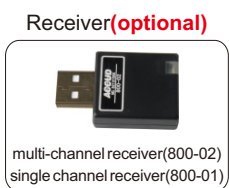
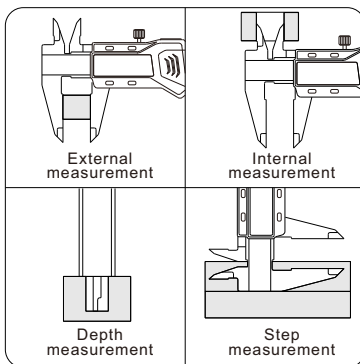


ATTENTION:
THE WORKING LIFE OF ONE
BATTERY IS ABOUT 3-5 MONTHS

NEW



- ◆ Non waterproof
- ◆ Built-in wireless data transmission module, Zigbee signal
- ◆ Transmission distance is 10 meter (under the condition of no obstruction and no electromagnetic interference)
- ◆ Resolution: 0.01mm/0.0005"
- ◆ Buttons: on/off, zero, mm/in, INC
- ◆ Automatic power on/off
- ◆ Made of stainless steel
- ◆ Optional accessory: receiver (code 800-01 or 800-02)



| Code | Range | Accuracy | a | b | c | h | L |
|-------------|---------------|----------|----|------|----|----|-----|
| 111-006-18 | 0-150mm/0-6" | ±0.03mm | 21 | 16 | 16 | 40 | 236 |
| 111-008-18 | 0-200mm/0-8" | ±0.03mm | 24 | 19 | 16 | 50 | 286 |
| 111-012-18 | 0-300mm/0-12" | ±0.03mm | 25 | 20.5 | 16 | 60 | 400 |
| 111-006-18W | 0-150mm/0-6" | ±0.03mm | 21 | 16 | 16 | 40 | 236 |
| 111-008-18W | 0-200mm/0-8" | ±0.03mm | 24 | 19 | 16 | 50 | 286 |
| 111-012-18W | 0-300mm/0-12" | ±0.03mm | 25 | 20.5 | 16 | 60 | 400 |

With manufacturer inspection certificate