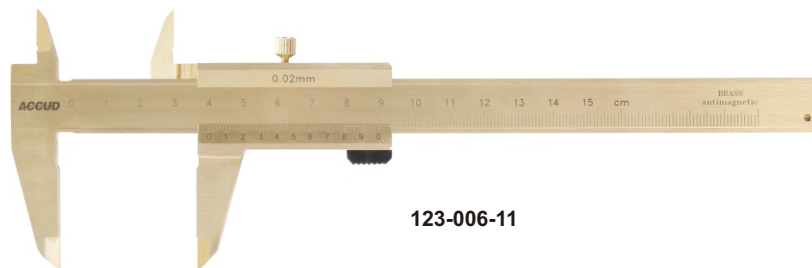


## SERIES 123

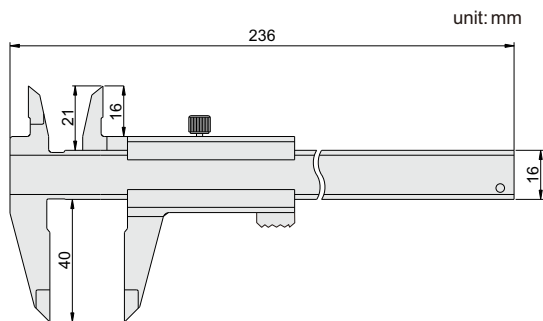
## VERNIER CALIPER (ANTI MAGNETIC)

ATTENTION:  
Not hardened



123-006-11

- ◆ Suitable for magnetic parts
- ◆ Made of pure copper



### Graduation 0.02mm

Code	Range	Accuracy
123-006-11	0-150mm	±0.05mm

### Graduation 0.05mm

Code	Range	Accuracy
123-006-13	0-150mm	±0.05mm

