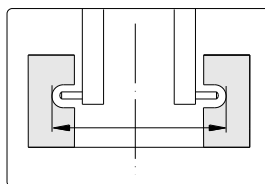
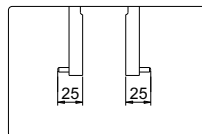
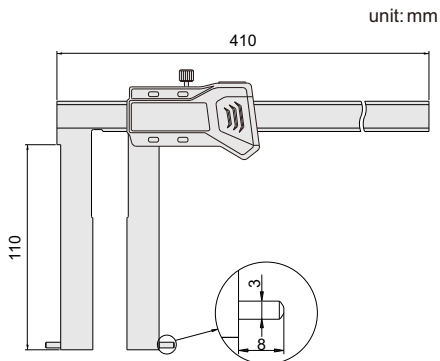
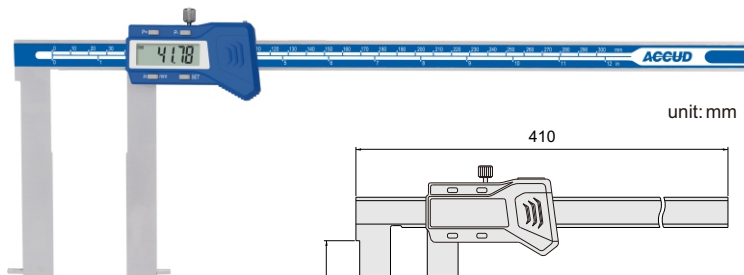


136

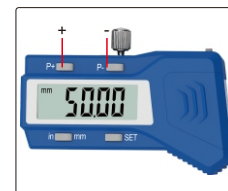
DIGITAL INSIDE POINT CALIPER



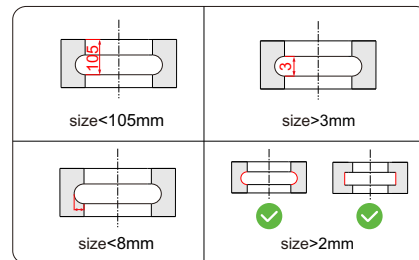
VIDEO



Preset buttons



- ◆ Measure the grooves
- ◆ Resolution: 0.01mm/0.0005"
- ◆ Automatic power on/off
- ◆ Buttons: mm/in, SET, preset(P+,P-)
- ◆ Preset: 50mm, don't need to add the width of the jaws on the reading
- ◆ Data output (cable code: 100-03 or 100-04)
- ◆ Made of stainless steel



Code	Range	Accuracy
136-012-13S	50-300mm	±0.06mm