

SERIES 224

DIAL INDICATOR

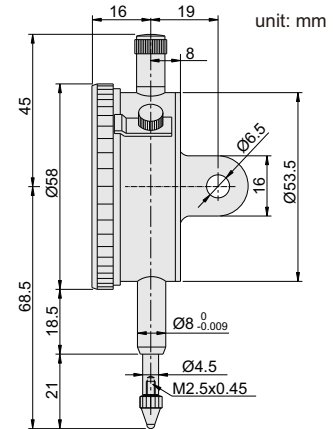


ACCUD

- ◆ Graduation: 0.01mm
- ◆ With limit hands
- ◆ Jeweled bearing
- ◆ Range per revolution: 1mm
- ◆ With lock screw



224-010-11



Styli (optional)



Application



Code	Range	Back	Accuracy	Hysteresis	Scale
224-010-11	10mm	lug	17µm	3µm	0-100
224-010-12	10mm	flat	17µm	3µm	0-100

With manufacturer inspection certificate

Package

