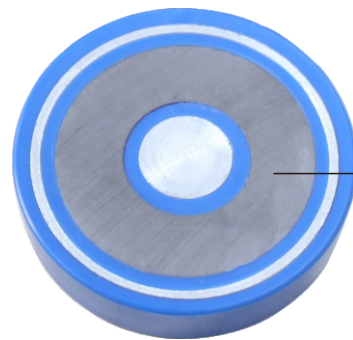


272

## MAGNETIC BACK



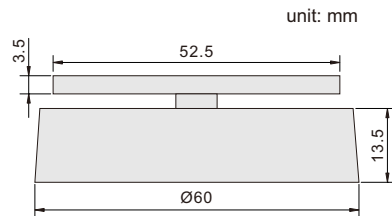
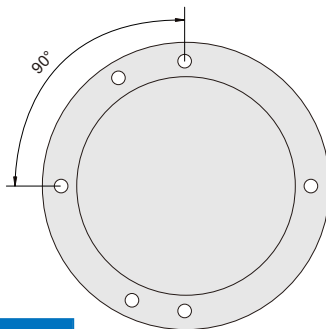
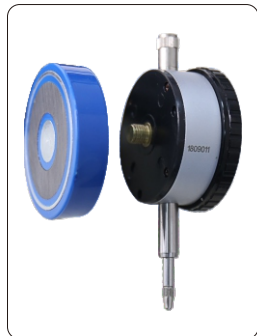
front



magnet

back

Application



Code

272-020-11

For digital/dial indicators

series 222, 212

AGCUD

