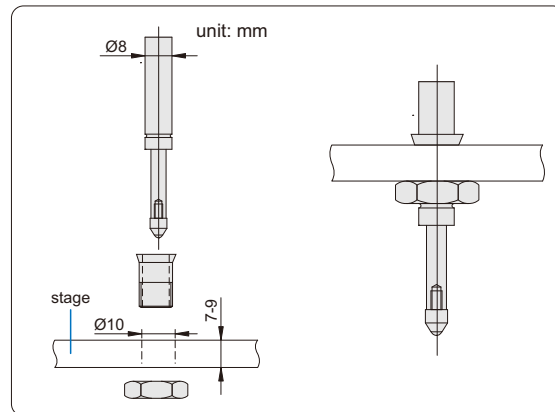
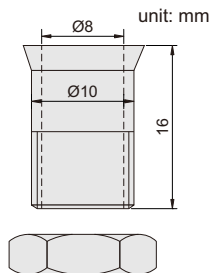


273

SHAFT SLEEVE

- ◆ For dial indicators and probes with shaft diameter $\varnothing 8\text{mm}$
- ◆ Made of stainless steel



Code

273-001-01

