

## SERIES 306

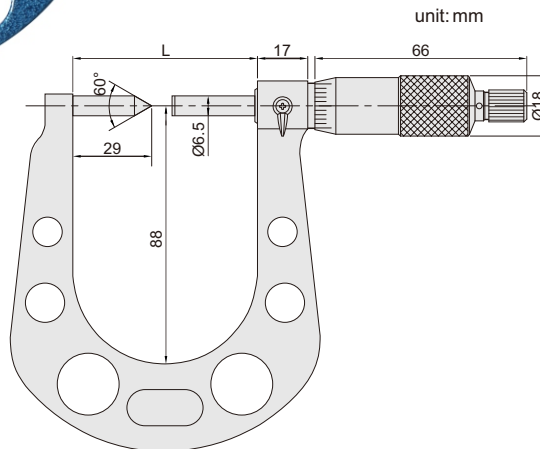
## DISK BRAKE MICROMETER

- ◆ Measure thickness of disk brakes
- ◆ Graduation: 0.01mm
- ◆ Ratchet stop
- ◆ Carbide measuring faces
- ◆ Supplied with setting standards



306-001-01

Setting standards (included)



Code	Range	Accuracy	L	Setting standards (included)
306-001-01	7.6-33mm	5µm	64.5	25mm
306-002-01	25-50mm	5µm	82	25mm