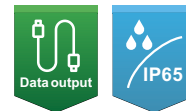


SERIES 307

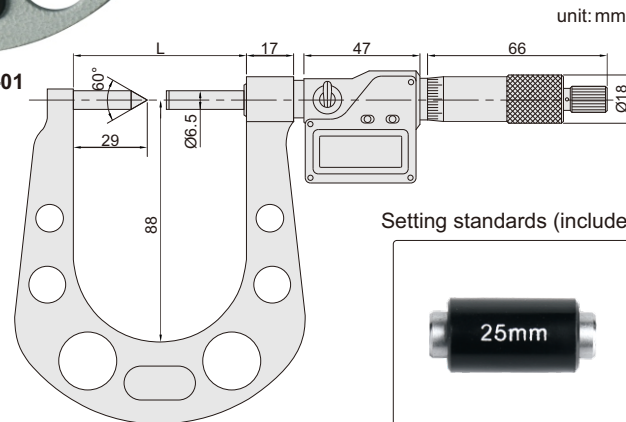
DIGITAL DISK BRAKE MICROMETER



- ◆ Measure thickness of disk brakes
- ◆ Resolution: 0.001mm/0.00005"
- ◆ IP65 protection level
- ◆ Button: on/off, mm/inch, set, zero
- ◆ Data output
- ◆ Automatic power off
- ◆ Ratchet stop
- ◆ Carbide measuring faces
- ◆ Supplied with setting standards



307-001-01



Setting standards (included)



Code	Range	Accuracy	L	Setting standards (included)
307-001-01	7.6-33mm	±5µm	64.5	25mm
307-002-01	25-50mm	±5µm	82	25mm