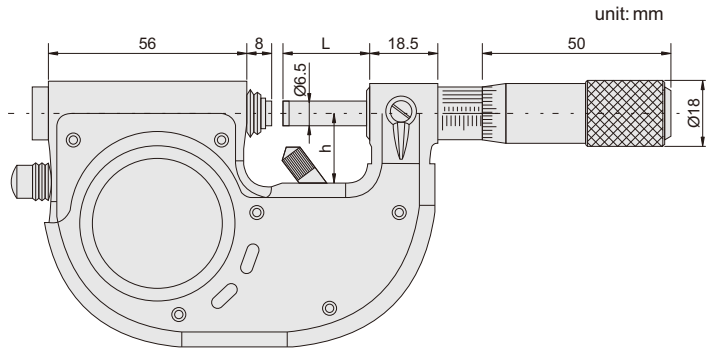




389-001-02WF

- ◆ Indicator: range  $\pm 0.04\text{mm}$ , accuracy  $\pm 1\mu\text{m}$
- ◆ IP54 protection level
- ◆ Buttons: zero, on/off, data output, mm/inch, tolerance monitoring on/off, display interface setting, wireless transmission setting, selection of wireless transmission modes
- ◆ Automatic power off
- ◆ Power: rechargeable battery, for 20 hours continuous working(full charge)
- ◆ Supplied with setting standards (except 0-25mm)



Cable (included)



Reverse side



Setting standards(included)



Indicator resolution 0.5 $\mu\text{m}$

Code	Micrometer head range	Micrometer head graduation	Micrometer head accuracy	L	h	Setting standards (included)	Remark
389-001-05	0-25mm	0.002mm	3 $\mu\text{m}$	28	19	-	without data transmission
389-002-05	25-50mm	0.002mm	3 $\mu\text{m}$	53	35	25mm	
389-003-05	50-75mm	0.002mm	4 $\mu\text{m}$	79	47	50mm	
389-004-05	75-100mm	0.002mm	4 $\mu\text{m}$	104	60	75mm	

Indicator resolution 0.2 $\mu\text{m}$

Code	Micrometer head range	Micrometer head graduation	Micrometer head accuracy	L	h	Setting standards (included)	Remark
389-001-02WF	0-25mm	0.002mm	3 $\mu\text{m}$	28	19	-	with data transmission (by USB or blue-tooth)
389-002-02WF	25-50mm	0.002mm	3 $\mu\text{m}$	53	35	25mm	
389-003-02WF	50-75mm	0.002mm	4 $\mu\text{m}$	79	47	50mm	
389-004-02WF	75-100mm	0.002mm	4 $\mu\text{m}$	104	60	75mm	