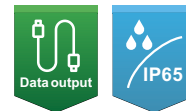


## SERIES 397

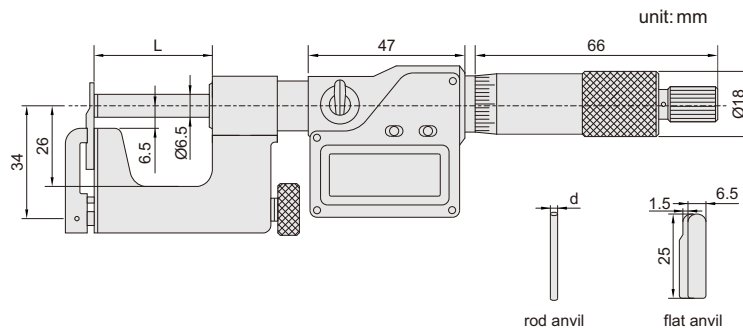
## DIGITAL INTERCHANGEABLE ANVIL MICROMETER



- ◆ Measure tube thickness, shoulder edge distance, rivet head height, etc.
- ◆ Supplied with flat anvil and rod anvil
- ◆ Resolution 0.001mm/0.00005"
- ◆ IP65 dust/waterproof
- ◆ Button function: on/off, set, mm/inch, data transmit
- ◆ Automatic power off
- ◆ Data output
- ◆ Ratchet stop
- ◆ Carbide spindle tip
- ◆ Setting standards are included (except 0-25mm/0-1")



397-001-01



Setting standards (included)



Code	Range	Accuracy	L	d
397-001-01	0-25mm/0-1"	±4µm	28.5	Ø3
397-002-01	25-50mm/1-2"	±4µm	53.5	Ø5

### Application

