

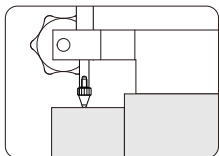
438

DIAL HEIGHT GAUGE

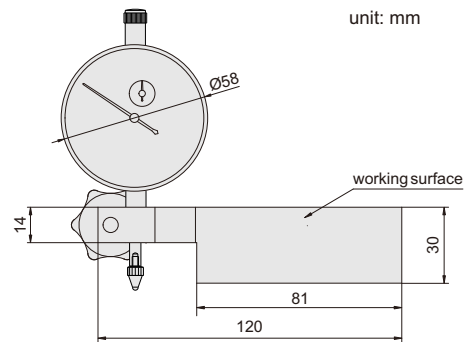
- ◆ Measure height difference of two surfaces



Application



unit: mm



Code	Range	Dial indicator stroke	Dial indicator graduation	Accuracy
438-010-11	0-±5mm	10mm	0.01mm	17μm