

480

## DIGITAL DEPTH GAUGE (60° KNIFE EDGE BASE)

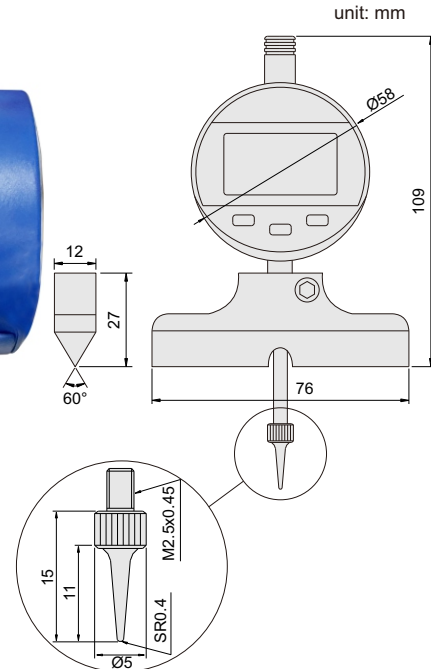


Data output



CR2032

- ◆ Button: on/off, zero, inch/mm conversion, measuring direction set, data preset absolute/incremental measurement
- ◆ Automatic power off (time is adjustable)
- ◆ Data output(cable code: 200-03 or 200-04)
- ◆ Stainless steel base with 60° knife edge



Code	Range	Digital indicator stroke	Digital indicator accuracy	Digital indicator resolution
480-010-11	0-12.7mm/0-0.5"	12.7mm/0.5"	20µm	0.01mm/0.0005"

ACCUD



D