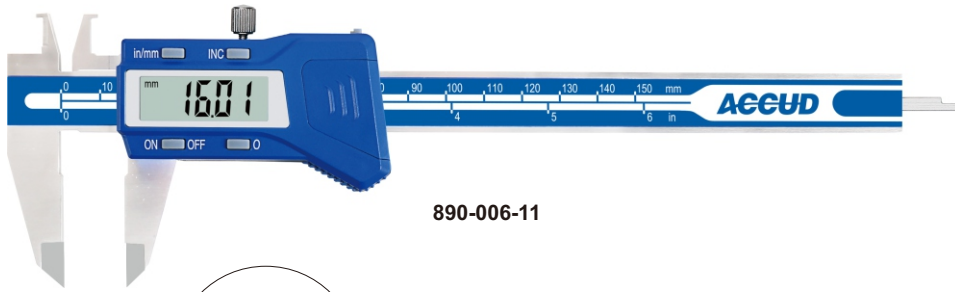


**SERIES 890**

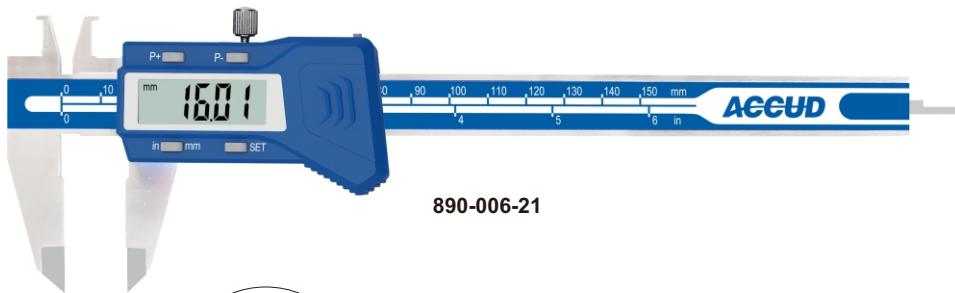
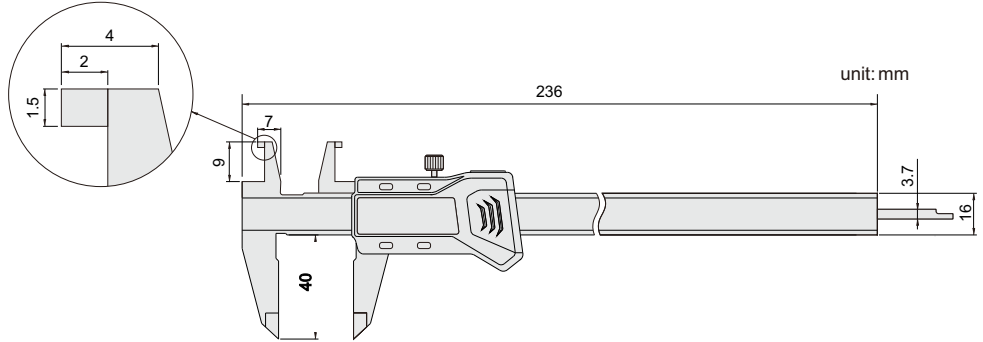
**DIGITAL INSIDE GROOVE CALIPER**



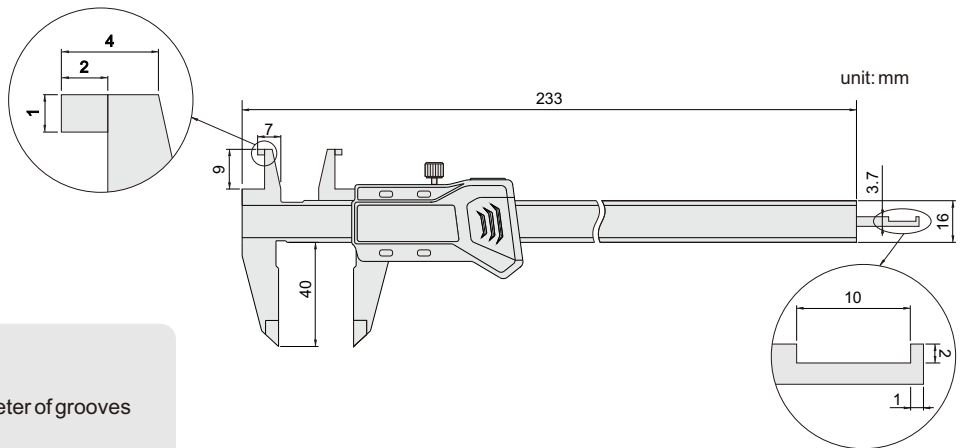
**ACCUD**



**890-006-11**



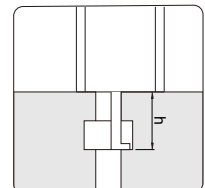
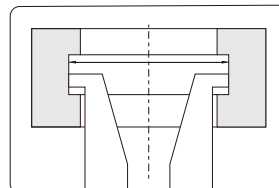
**890-006-21**



- ◆ Non waterproof
- ◆ Upper jaws for measuring diameter of grooves
- ◆ Resolution: 0.01mm/0.0005"
- ◆ Buttons type A: on/off, zero, mm/in, INC  
type B: on/off, set, mm/inch, preset (+, -)
- ◆ Automatic power on/off
- ◆ Data output (cable code: 100-03 or 100-04)
- ◆ Made of stainless steel

measure diameter of grooves  
8-150mm

measure depth of grooves  
(h < 10mm, only for 890-006-21)



Code	Range of upper jaw	Range of lower jaw	Accuracy
<b>890-006-11</b>	8-150mm/0.3-6"	0-150mm/0-6"	±0.03mm
<b>890-006-21</b>	8-150mm/0.3-6"	0-150mm/0-6"	±0.03mm

**CALIPER**