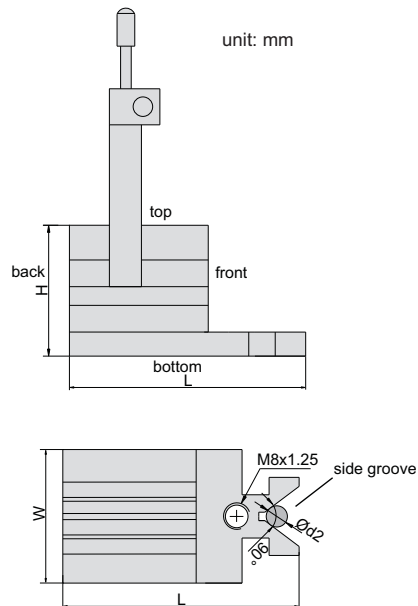
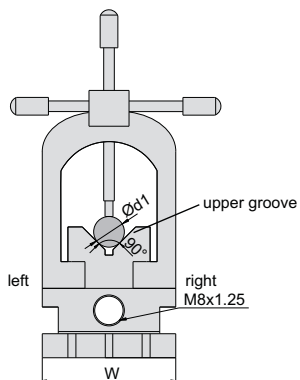


639

V-BLOCK

- ◆ Hold cylindrical workpieces for inspection and machining
- ◆ Hardened to HRC60±2



Code	Size (LxWxH)	Range of shafts ($\varnothing d1$ and $\varnothing d2$)	Parallelism of upper groove to bottom, left and right sides	Squareness of upper groove to back side	Parallelism of side groove to back side
639-090-01	90x48x48mm	5 - 33mm	5 μ m	5 μ m	5 μ m

